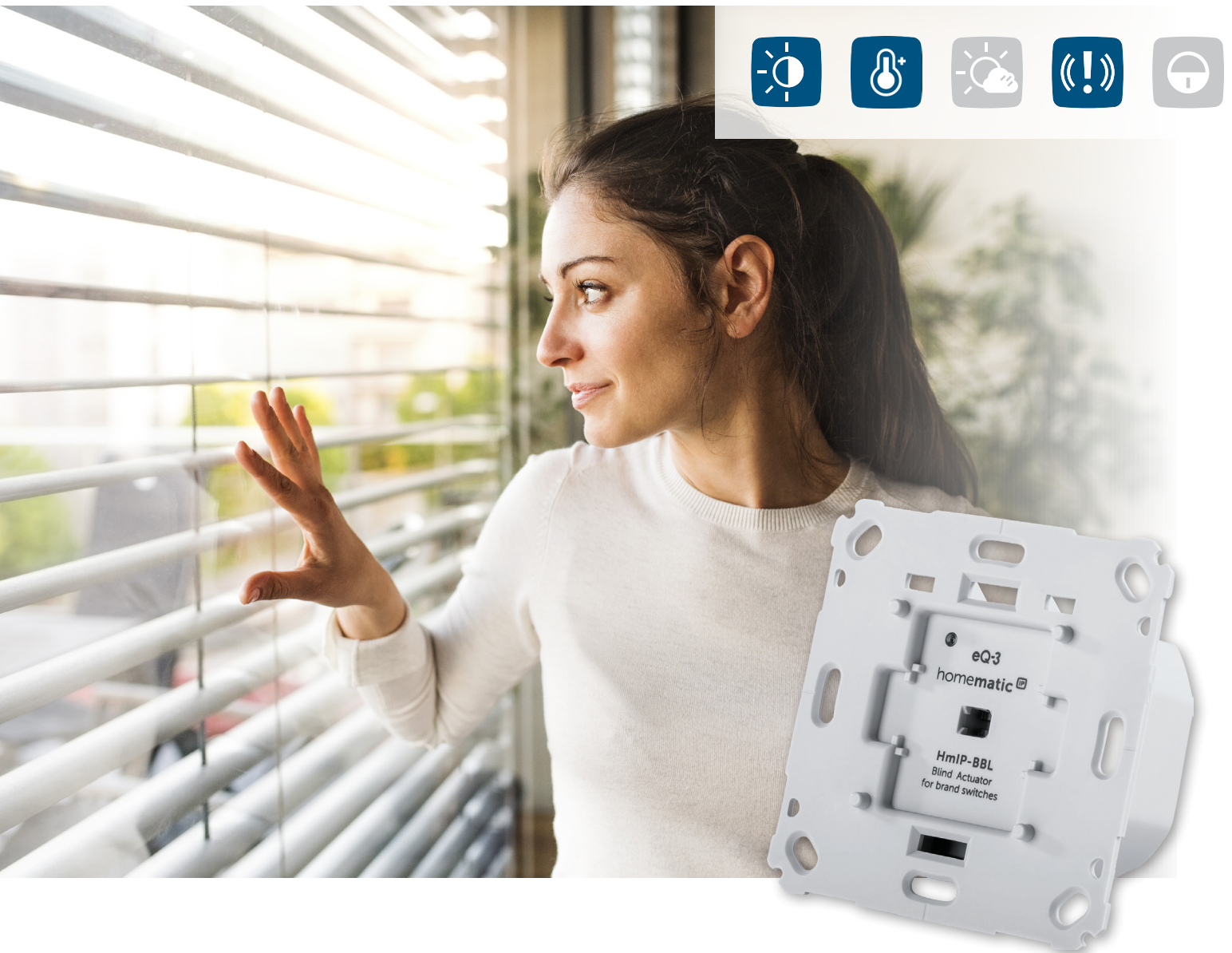


SMART BLIND
CONTROL FOR
INCREASED COMFORT
AND SECURITY

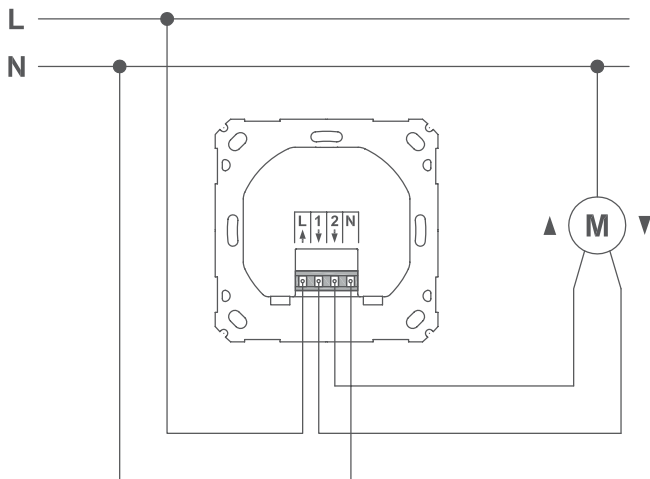
Blind Actuator for brand switches

HmIP-BBL

The Homematic IP Blind Actuator offers intelligent control of electric blinds. The invisible solution for flush-mounted installation can be easily retrofitted. Thus, switch series that have already been installed can simply continue to be used. Afterwards, the blinds can be controlled easily via smartphone, automatically via individual time profiles or – as used to – via push-button.



homematic 
Smart Living, Simply Exciting.



For installation, a neutral conductor is required.

SMART CONTROL AT ALL TIMES

Adjustable time profiles allow blinds, interior blinds, shutters or awnings to move up or down automatically. Thus, they are adapted to the daily routine of the user or to the current weather conditions. For blinds, even the exact slats position can be adjusted.

The device is controlled comfortably via smartphone, wireless push-button or remote control, existing switches or comfortably via voice control.

SHUTTER CONTROL DEPENDING ON THE SUN POSITION

Wake up feeling relaxed in the morning or secure your home in the evening: Blinds or shutters can be controlled automatically in accordance with the sunrise and sunset. Automatic shading offers smart insulation to avoid rooms from overheating during summer.

INVISIBLE INSTALLATION INTO EXISTING DESIGNS

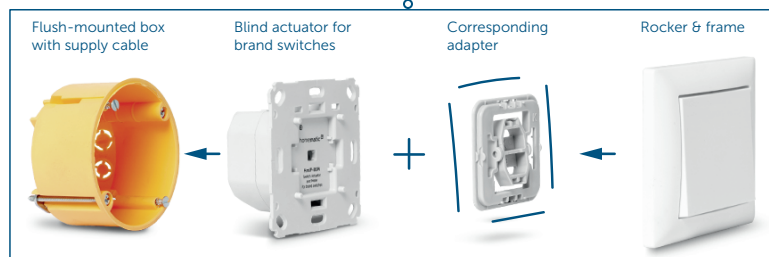
Can also be integrated into existing switches by making use of existing frames and rockers. With the appropriate adapter, the device can be integrated into the most popular switch designs of leading manufacturers (an overview of compatible manufacturers is available at www.homematic-ip.com).

INCREASED SECURITY

Shutters are moved down when it is getting dark or if you are absent – this secures windows and doors in the house and suggests presence at the same time.

SIMPLY INSTALLED

Easy to install with automatic calibration run via the app. Compact design for installation into standard flush-mounted boxes. Suitable for all standard tube motors.



TECHNICAL SPECIFICATIONS

Supply voltage	230 V/50 Hz
Current consumption	2.2 A max.
Standby power consumption	0.2 W
Max. switching capacity	500 VA
Load type	motor load
Relay	1x NO contact, 1x changeover contact
Cable type and cross section	rigid and flexible cable, 0.75-1.5 mm ²
Degree of protection	IP20
Installation	only in normal commercial switch boxes (device boxes) in accordance with DIN 49073-1
Degree of protection	IP20
Ambient temperature	0 to 50 °C
Dimensions (W x H x D)	71 x 71 x 37 mm
Weight	58 g
Radio frequency band	868.0-868.6 MHz 869.4-869.65 MHz
Typ. open area RF range	220 m

To enable operation, the device has to be connected with one of the following solutions:

- Homematic IP Access Point with free smartphone app and free cloud service
- Central Control Unit CCU2/CCU3 with the local user interface WebUI
- Third-party solutions of partners

LOGISTICAL DATA

Product reference	151333A0
EAN code	4047976513338
Short description	HmIP-BBL
Packing unit	90
Packing dimensions	122 x 112 x 48 mm
Weight incl. packaging	135.2 g

PACKAGE CONTENTS

Homematic IP Blind Actuator for brand switches
Screws 3.2 x 15 mm (2x)
Screws 3.2 x 25 mm (2x)
User manual